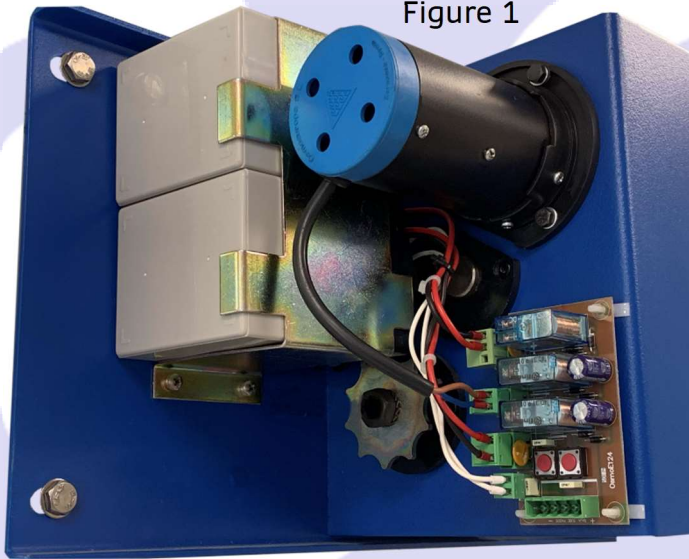




LIFTING MOTORS 24 V OSMOEUROPA

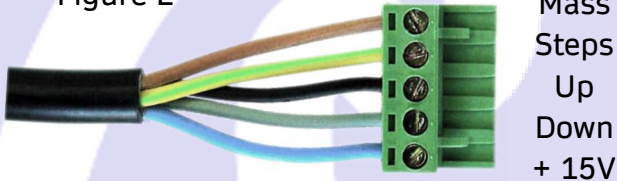
Figure 1



Components (figure 1):

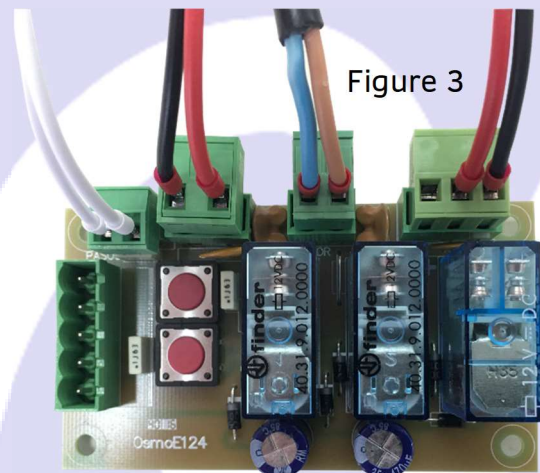
- 1) Tubular Motor
- 2) 24V manual motor circuit (figure 3)
- 3) Two Batteries 12V / 5 Ah
- 4) Battery holder
- 5) Counter micro switch
- 6) 10-point counting star
- 7) 2 x 5-wire female connectors

Figure 2



Mass
Steps
Up
Down
+ 15V

Figure 3



The battery connectors (black and red wires) are disconnected. Connect them.
The 5-wire multi-conductor sheath in figure 2 connects the OSMOEUROPA regulator to the manual motor circuit

WARNINGS:

- Make sure that the connection between the OSMOEUROPA regulator and the motor is made by a multi-conductor sheath and **NEVER** by loose wires.
- Make sure the position of the cables is correct (as shown in figure 2) or, otherwise, it will surely cause breakage or malfunction of the equipment.
- The multi-conductor sheath in figure 2 **IS TO BE CONNECTED ONLY** when it is already installed and passed through the protective corrugated tubes.

